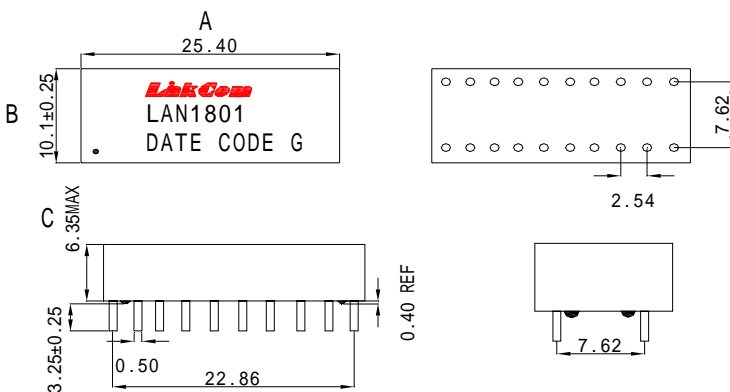


10/100BASE-Tx Magnetics Module

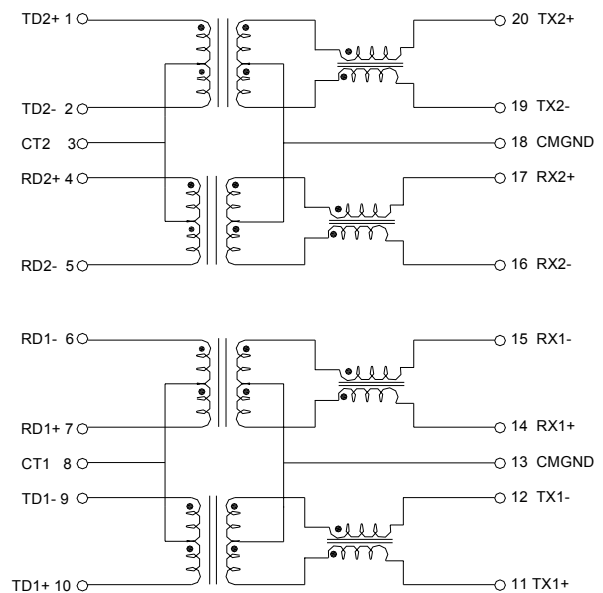
- IEEE 802.3 Ethernet Compatible
- RoHS Compliant
- Dual port configuration
- Design for 100base-Tx transmission over UTP-5 cable
- Operating Temperature: -40 ~+85

Electrical Specification @25				
OCL:	350uH Min. @100KHz/0.1V with 8mA DC Bias			
Hi-POT :	1500Vrms.			
Turn Ratio:	1CT:1CT±3%			
D.C.R:	0.9ohm Max.			
Insertion Loss:	0.1MHz		100MHz	
	-1.2dB Max.		-1.0dB Max.	
Return Loss:	2-30MHz	40MHz	50MHz	60-80MHz
	-16dB Min.	-14.4dB Min.	-13.1dB Min.	-12dB Min.
Cross Talk :	2-30MHz	40MHz	50MHz	60-80MHz
	-16dB Min.	-14.4dB Min.	-13.1dB Min.	-12dB Min.

Dimensions



Schematic



Units: mm

Unless otherwise specified, all tolerances are ±0.25